





Pergola made of aluminum, with superior packaging, with a modern and linear design, high versatility, simple installation and high quality standards. Designed to be placed on existing structures to cover large surfaces. The main feature that distinguishes this pergola from the others is the possibility of having side crosspieces that protrude up to 50 cm with respect to the supporting guides, for each side.

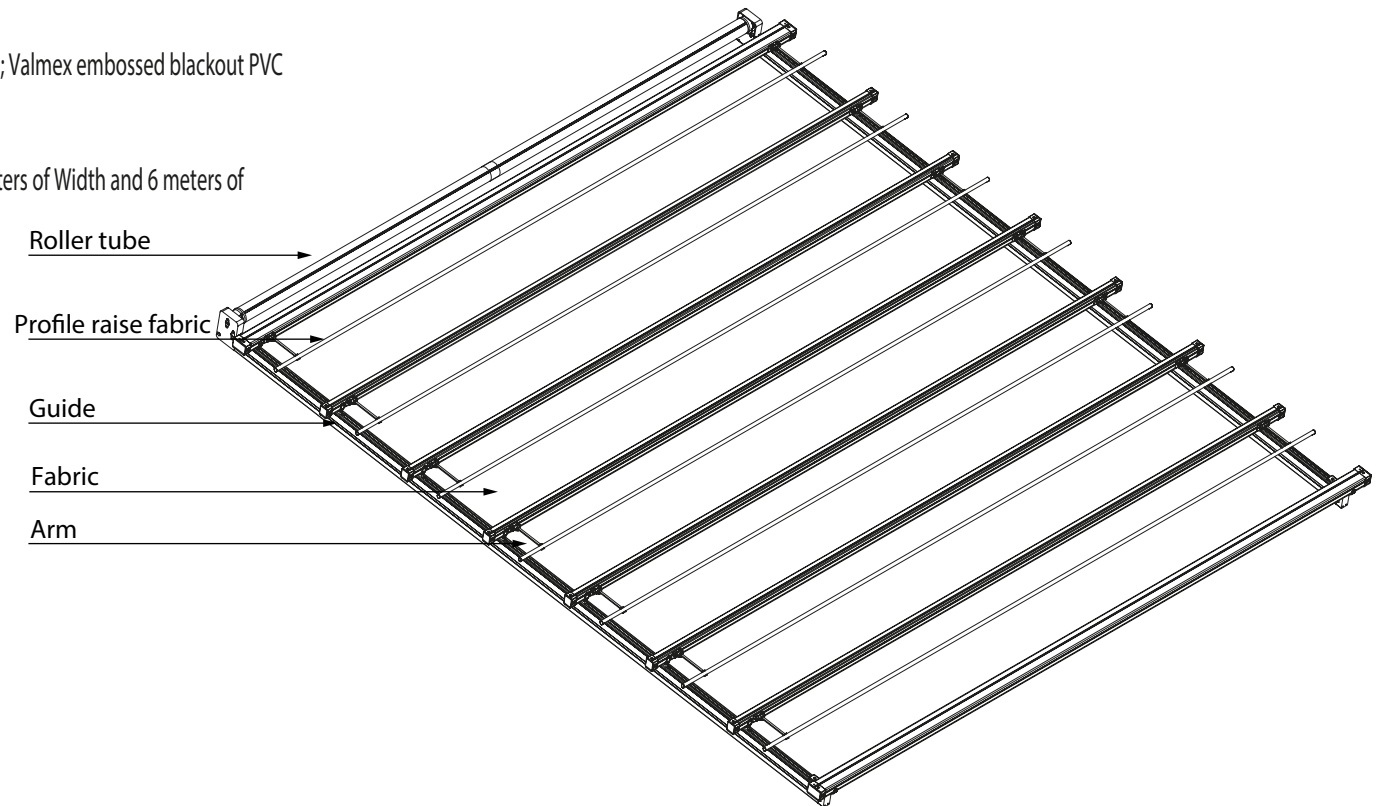
Entirely made with painted aluminum profiles and with pre-tensioned blackout PVC covers, or embossed Valmex blackout PVC or two-colored Opatex PVC, the structure is moved by a radio-controlled electronic motor, which allows the upper folding opening of the single fabric up to maximum tension.

The pre-tensioned blackout PVC covers are available in the colors White, Gray and Vanilla; Valmex embossed blackout PVC covers are available in White, Ivory and Gray.

The TOP 200 INCASSO can be placed on existing structures with dimensions up to 15 meters of Width and 6 meters of Projection, alongside the maximum number of 3 MODULES.

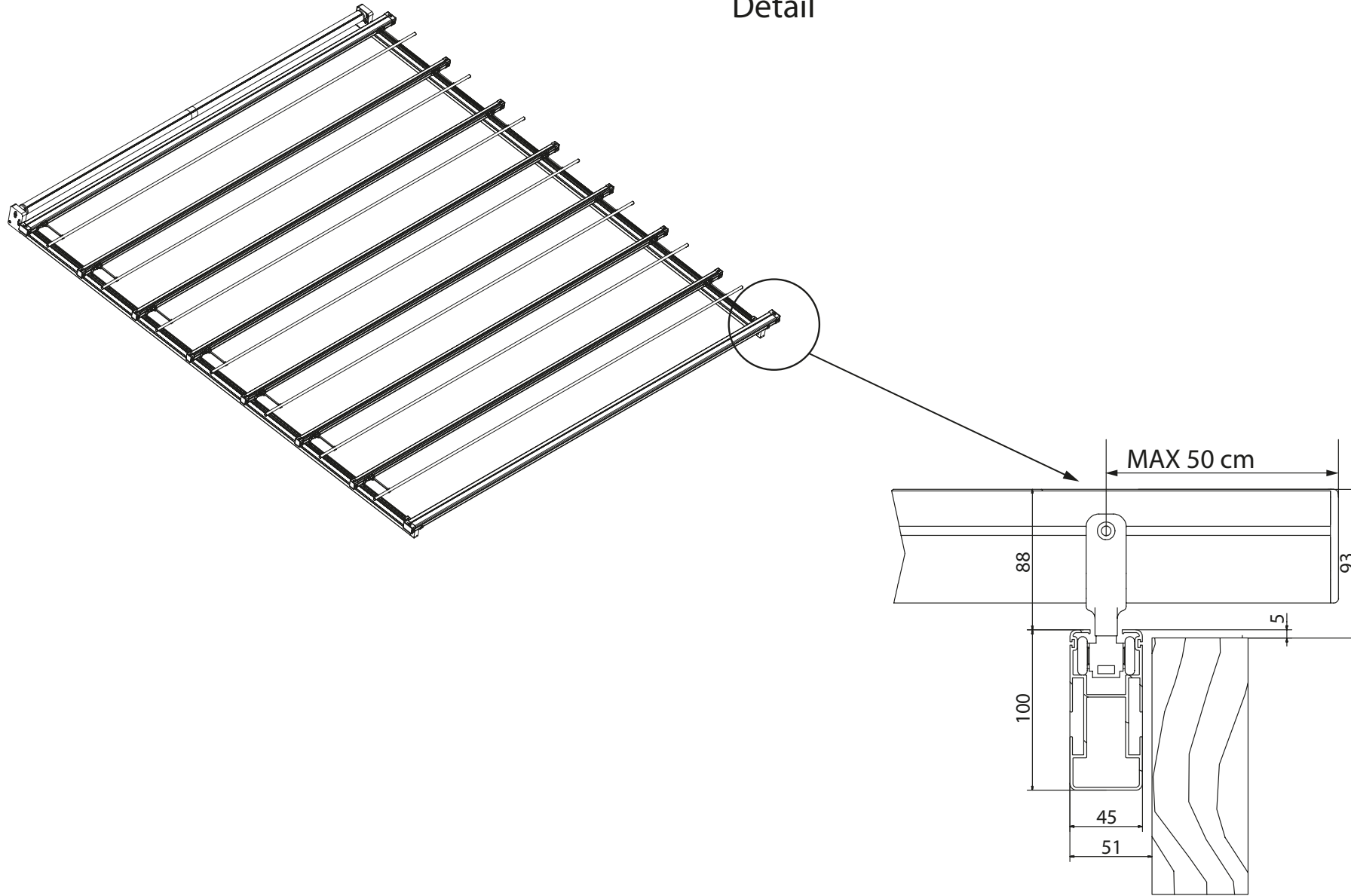
MINIMUM INCLINATION REQUIRED FOR CORRECT OPERATION 7%

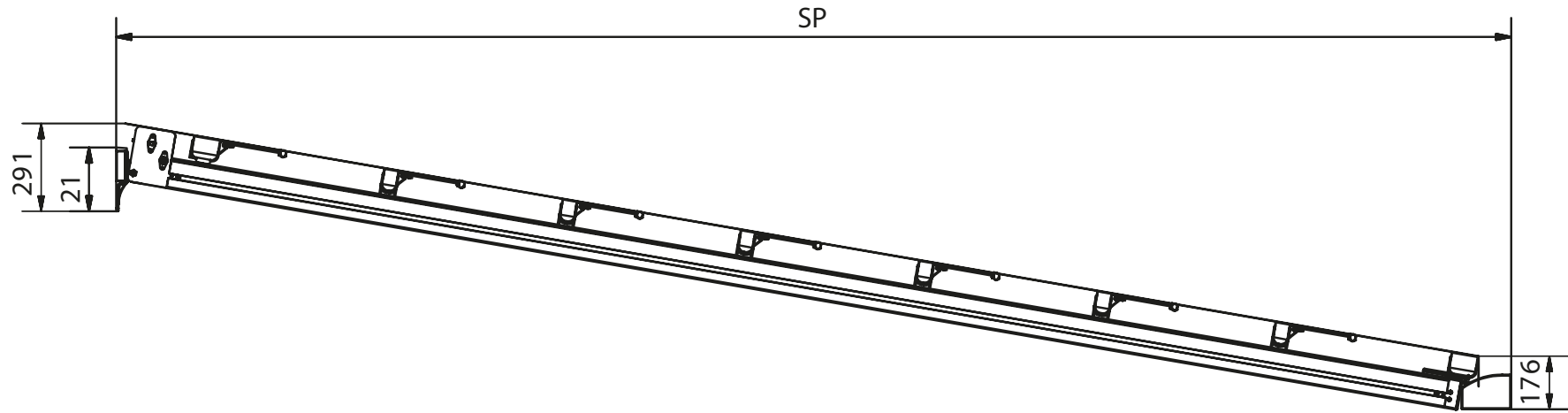
Maximum dimensions		
	width	projection
1 Module	500	600
2Modules	1000	600
3Modules	1500	600



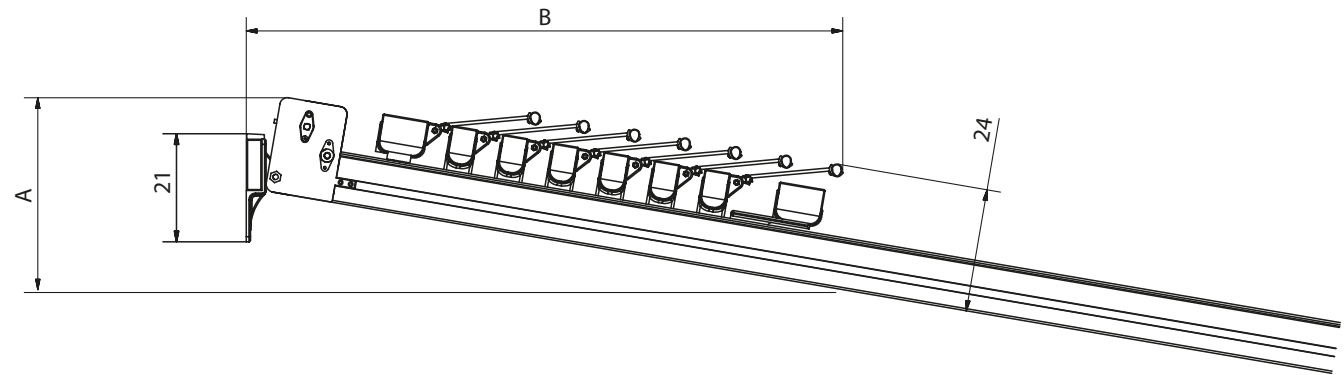


Detail



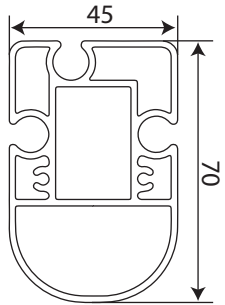


SP	A* CM	B* CM	P =
200	24	70	4
250		79	5
300		88	6
350		97	7
400		106	8
450		115	9
500		124	10
550		132	11
600		140	12

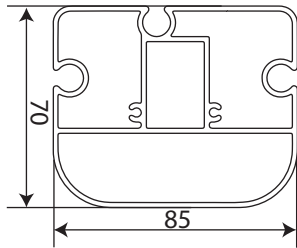


- SP** PROJECTION
- A** ENCUMBRANCE FABRIC IN HEIGHT (variable second inclination)
- B** ENCUMBRANCE FABRIC IN PROJECTION
- P** NUMBER OF PROFILES MOVEFABRIC (including terminal).

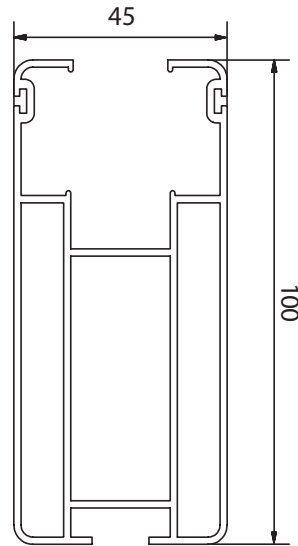
LITTLE PROFILE
MOVEFABRIC



LARGE PROFILE
MOVEFABRIC



PROFILE GUIDE



PROFILE FREESTANDING GUTTER
OPTIONAL

